

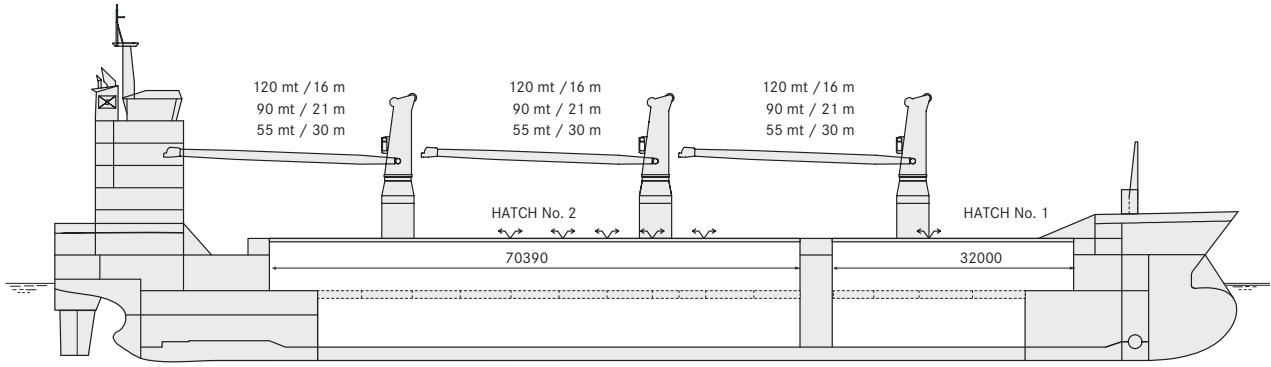
D-TYPE

CLASS			
Classification	Lloyd's Register ✱ 100 A1		
Ice class	Finnish/Swedish 1A		
Open sailing notification	Yes, upon request		
Fitted for carriage of dangerous goods all IMO classes			
Fitted for trading Australia			
PRINCIPAL DIMENSIONS			
Length over all	156.93	m	
Breadth	22.80	m	
Height hold as SID	13.30	m	
Height lower hold as TWD	variable heights		
Height tween deck as TWD	variable heights		
Summer draft extreme	10.27	m	
GT	13,558		
NT	5,981		
Deadweight all told	18,144	mt	excl. TWD
	17,557	mt	incl. TWD
CAPACITY			
Grain = bale	21,779	m ³	769,119 cbft
if tween deck installed 1,500 m ³ / 53,000 cbft less in hold			
FLOOR SPACE			
Weather deck (hatches only)	1,859	m ²	
Tween deck	1,787	m ²	
Tanktop	1,442	m ²	
AIR CHANGES (basis empty holds)			
Hold1:	21	x p/h	
Hold2:	15	x p/h	
Dehumidifier	Yes		
CONTAINER INTAKE			
Total	1,075	TEU	subject to stability
HATCHES (steel, end folding/ rolling/ lift away type)			
Weather deck	Hold1:	32.50 x 13.30 m / 18.30 m	
	Hold2:	70.88 x 18.30 m	
	Steel, end folding/rolling/ lift away type		
MAXIMUM LOAD			
Weather deck hatch covers	2.60 mt/m ²		
Tween deck hatch covers	Hold1 fwd:	7.50 mt/m ²	Hold1 aft : 5.50 mt/m ²
	Hold2	5.50 mt/m ²	
Tank Top	20.00 mt/m ²		
DECK CRANES			
Position	3 x situated on starboard side. Combinable up to 240 mt		
Tons/reach	120 mt SWL / 16 m		
	90 mt SWL / 21 m		
	55 mt SWL / 30 m		

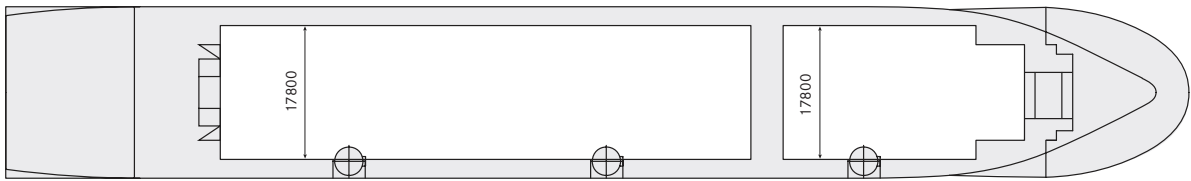


- 2008 DIJKSGRACHT
- 2009 DAMGRACHT
- DANZIGERGRACHT
- DELAGRACHT
- DIAMANTGRACHT
- DOLFIJNGRACHT
- DONAUGRACHT
- 2010 DYNAMOGRACHT

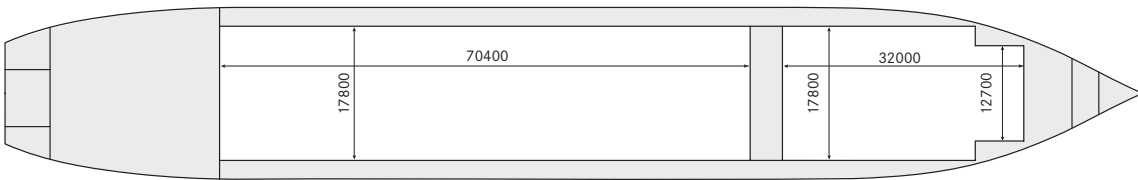
SIDE VIEW



WEATHER DECK



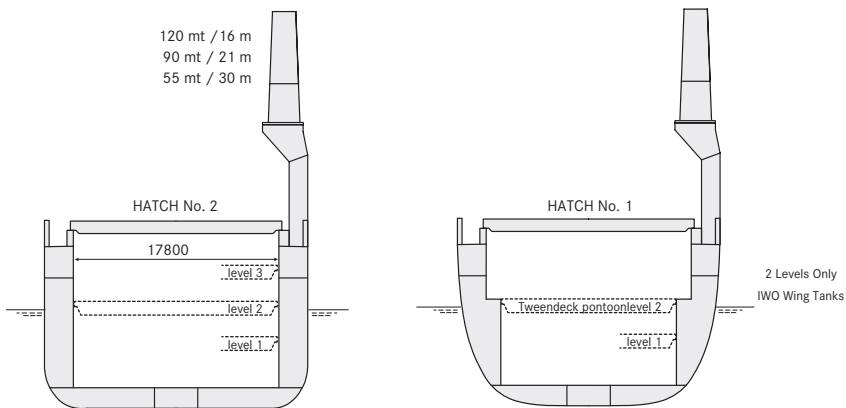
TWEEN DECK



TANK TOP



CROSS SECTION



These particulars are believed to be correct, but without guarantee, and they must not be used as basis for Charter Parties or contracts without explicit written authority. For more information please contact amsterdam@spliethoff.com or +31 20 4488 400

D-TYPE

2022, December 19