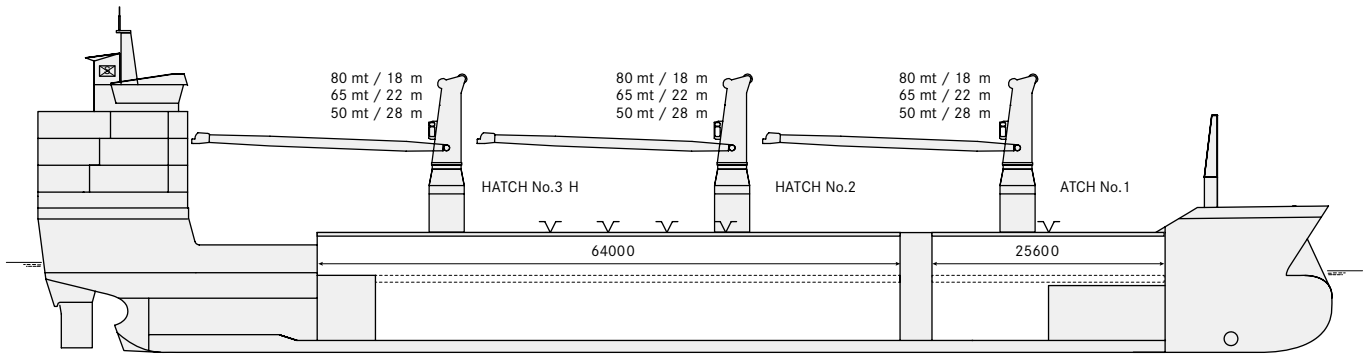


M-TYPE

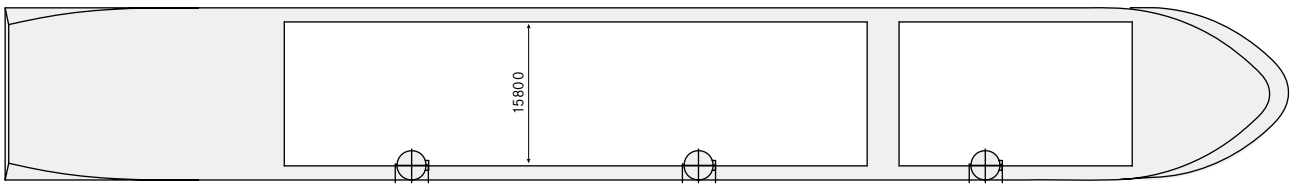
CLASS		
Classification	Bureau Veritas ✱ 100 A1 (Great Lakes fitted)	
Ice-Class	Ice class 1A (Finnish)	
Open sailing notation	Yes	
Fitted for carriage of dangerous goods of all IMO classes		
Fitted for trading Australia and Great Lakes		
PRINCIPAL DIMENSIONS		
Length over all	142,10 m	
Breadth moulded	18,90 m	
Height hold as SID	11,80 m	
Height lower hold as TWD	3,36 or 6,40 or 8,36 m *	* except where side tanks in hold 1 where lowest position not available
Height tween deck as TWD	7,75 or 4,70 or 2,75 m *	
Summer draft	8,48 / 8,70 m	
GT	Abt. 9.524	
NT	Abt. 4.187	
DEADWEIGHT all told	Abt. 11.720 / 12.200 mt	excl. TWD
	Abt. 11.300/11.780 mt	incl. TWD
CAPACITY		
Grain - bale	552.100 cbft	/15.640 m ³
FLOOR SPACE		
Tank top	1.242 m ²	
Tween deck	1.415 m ²	
Weather deck	1.596 m ²	
AIR CHANGES (basis empty holds)		
Hold 1	Abt. 27 x p/h	
Hold 2	Abt. 21 x p/h	
Dehumidifier	Yes	
CONTAINER INTAKE		
Total	696 TEU	Intake always subject stability
HATCHES		
Weather deck	No.1: 25,60 x 15,80 m	
	No.2: 64,00 x 15,80 m	
	Steel, end folding type/roling/lift away type	
Tween deck	No.1: 25,60 x 15,80 m	
	No. 2: 57,60 x 15,80 m	
	14 steel pontoons	
Bulkheads/compartments: Removable pontoons for up to 10 compartments at TEU interval		
MAXIMUM LOAD		
Weather deck hatch covers	2,00 t/m ²	
Tweendeck hatch covers	4,50 t/m ²	
Tank top	20,00 t/m ²	
DECK CRANES		
Position	3 x situated on starboard side	
Tons /reach	80 mt SWL/18 m	
	65 mt SWL/22 m	
	50 mt SWL/28 m	



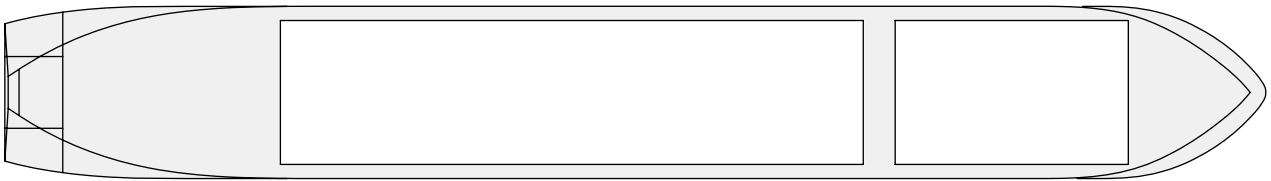
- 2011** MAASGRACHT
 MARSGRACHT
 MERWEDEGRACHT
 MINERVAGRACHT
- 2012** MOLENGRACHT
 MUNTGRACHT



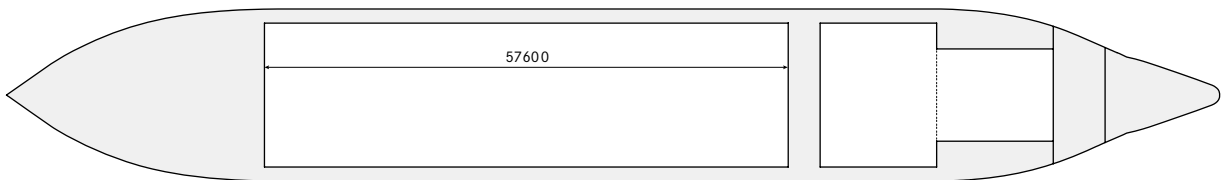
WEATHER DECK



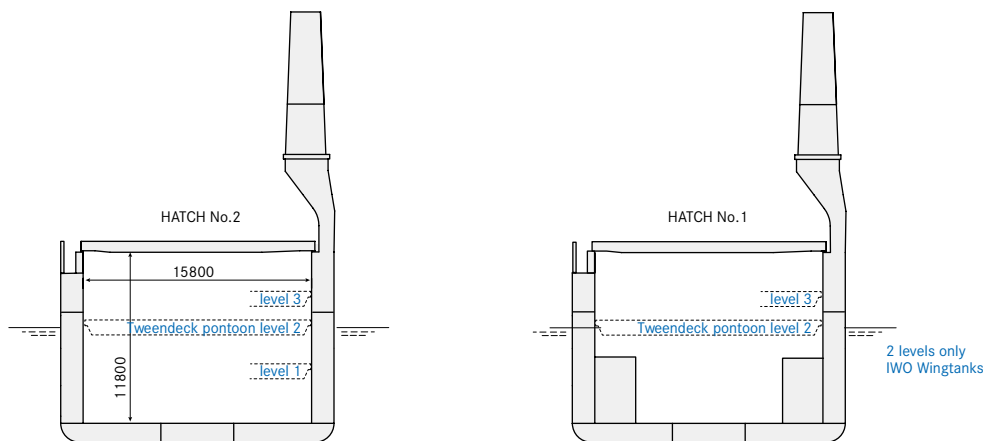
TWEEN DECK



TANK TOP



CROSS SECTION



These particulars are believed to be correct, but without guarantee, and they must not be used as basis for Charter Parties or contracts without explicit written authority. For more information please contact amsterdam@spliothoff.com

M-TYPE