

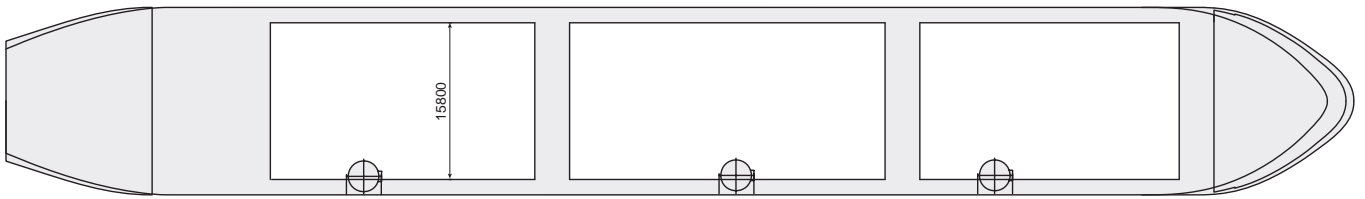
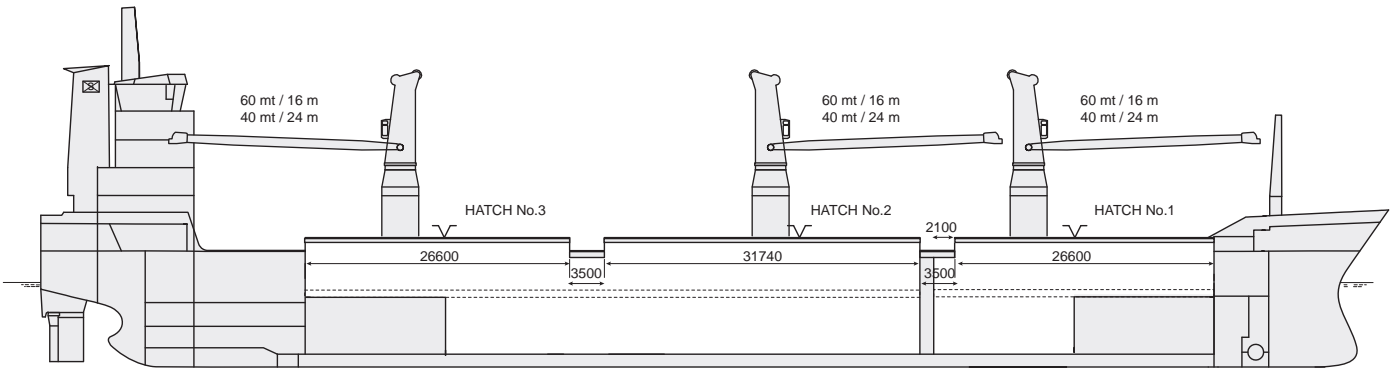
E-TYPE

CLASS			
Classification	Lloyd's Register 100 A1		
Ice-Class	Finnish/ Swedish 1A		
PRINCIPAL DIMENSIONS			
Length over all	137,16	m	
Breadth moulded	18,90	m	
Height hold as SID	11,75	m	
Height lower hold as TWD	3,19 or 6,35 or 8,85	m *	
Height tween deck as TWD	7,85 or 4,70 or 2,20	m *	
* except where side tanks in hold 1+3 where lowest position not available			
Summer draft	8,52	m	
GT	Abt. 8.448		
NT	Abt. 4.651		
DEADWEIGHT all told	Abt. 12.754	mt	excl. TWD
	Abt. 12.324	mt	incl. TWD
CAPACITY			
Grain - bale	558.678	cbft	/15.820 m ³
FLOOR SPACE			
Tank top	1.280	m ²	
Tween deck	1.430	m ²	
Weather deck	1.617	m ²	
AIR CHANGES (basis empty holds)			
	Abt. 30 x	p/h	
Dehumidifier	Yes		
CONTAINER INTAKE			
Total	720	TEU	
HATCHES			
Weather deck	No.1: 26,60 x 15,80	m	
	No.2: 31,74 x 15,80	m	
	No.3: 26,60 x 15,80	m	
	Steel, end folding type		
Tween deck	No.1: 28,00 x 15,80	m	
	No. 2: 61,84 x 15,80	m	
	Consisting: 17 steel pontoons:		11 of 6,35 x 15,80 m 2 of 4,36 x 15,80 m 3 of 3,19 x 15,80 m 1 of 1,92 x 15,80 m
Bulkheads/ compartments	Removable pontoons for up to 11 compartments at TEU interval		
MAXIMUM LOAD			
Weather deck hatch covers	1,75	t/m ²	
Tweendeck hatch covers	4,00	t/m ²	
Tank top	20,00	t/m ²	
DECK CRANES			
Position	3 x situated on starboard side		
Tons/reach	60 mt SWL/ 16 m 40 mt SWL/ 24 m		

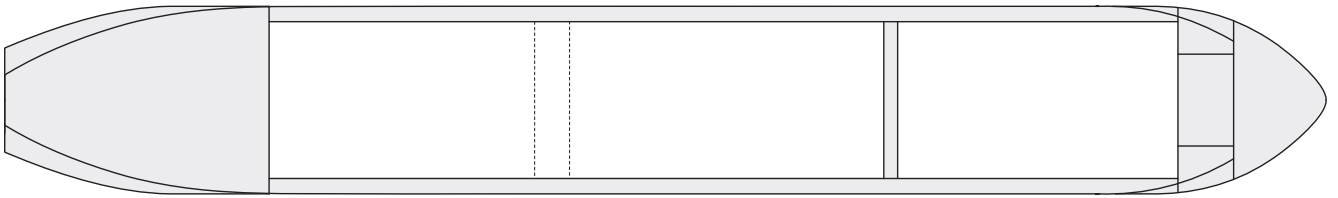


1994 Egelantiersgracht, Egmondgracht, Erasmusgracht
 1995 Edamgracht, Eemsgracht, Elandsgracht, Eurogracht

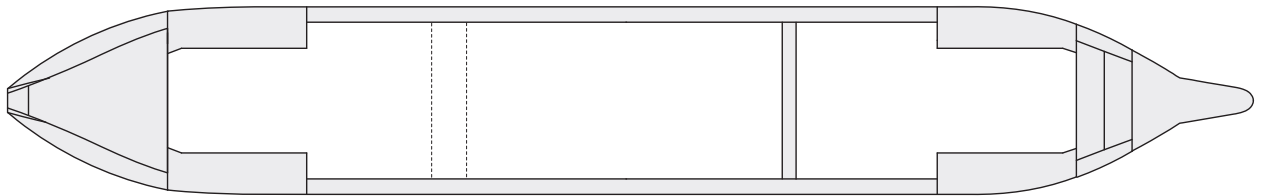
E-TYPE



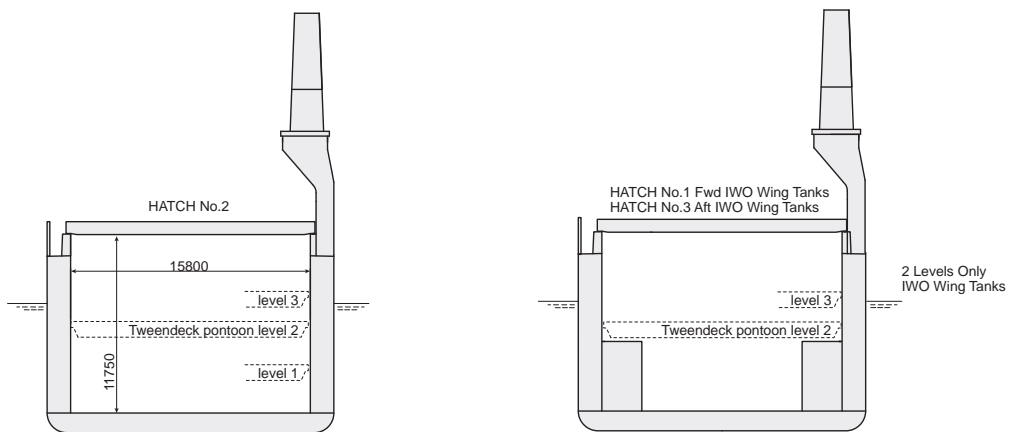
WEATHER DECK



TWEEN DECK



TANK TOP



CROSS SECTION

