

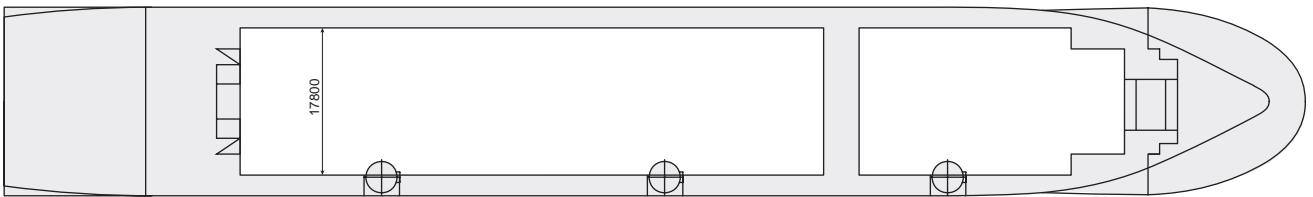
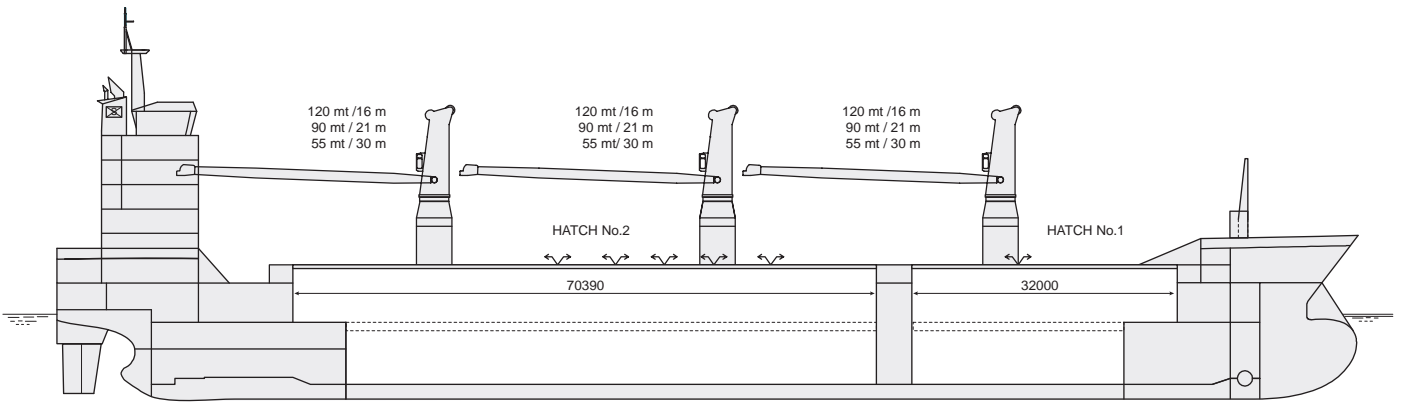
## D-TYPE

<b>CLASS</b>			
Classification	Lloyd's Register 100 A1		
Ice-Class	Finnish/ Swedish 1A		
Open sailing notation	Yes		
<b>PRINCIPAL DIMENSIONS</b>			
Length over all	156,93	m	
Breadth moulded	22,80	m	
Height hold as SID	13,25	m	
Height lower hold as TWD	3,25 or 6,46 or 9,60	m *	
Height tween deck as TWD	9,00 or 5,79 or 2,65	m *	
* except where side tanks in hold 1 where highest position is not available. Aft hold 2 lowest			
Summer draft	10,25	m	
GT	Abt. 13.558		
NT	Abt. 5.981		
DEADWEIGHT all told	Abt. 18.143	mt	excl. TWD
	Abt. 17.556	mt	incl. TWD
<b>CAPACITY</b>			
Grain - bale	760.500	cbft	/21.535 m <sup>3</sup>
<b>FLOOR SPACE</b>			
Tank top	1.423	m <sup>2</sup>	
Tween deck	1.790	m <sup>2</sup>	
Weather deck	1.760	m <sup>2</sup>	
<b>AIR CHANGES (basis empty holds)</b>			
Hold 1	Abt. 20 x	p/h	
Hold 2	Abt. 15 x	p/h	
Dehumidifier	Yes		
<b>CONTAINER INTAKE</b>			
Total	1.062	TEU	
<b>HATCHES</b>			
Weather deck	No.1: 32,00 x 12,70	m	/17,80 m
	No.2: 70,40 x 17,80	m	
	Steel, end folding/rolling/lift away type		
Tween deck	No.1: 25,60 x 17,80	m	/15,25/12,70 /9,40 m
	No.2: 64,00 x 17,80	m	
	Consisting:		
	15 steel pontoons:	1 of 6,37 x 9,30 m 1 of 6,37 x 12,60 m 1 of 6,37 x 15,15 m 10 of 6,37 x 17,70 m 2 of 3,17 x 17,72 m	
Bulkheads/compartments	Removable pontoons for up to 13 compartments at TEU interval		
<b>MAXIMUM LOAD</b>			
Weather deck hatch covers	2,60	t/m <sup>2</sup>	payload
Tweendeck hatch covers	Hatchway 1: 7,50	t/m <sup>2</sup>	fore part
		5,50	t/m <sup>2</sup>
	Hatchway 2: 5,50	t/m <sup>2</sup>	
Tank top	20,00	t/m <sup>2</sup>	
<b>DECK CRANES</b>			
Position	3 x situated on starboard side		
Tons /reach	120 mt SWL/16 m		
	90 mt SWL/21 m		
	55 mt SWL/30 m		



2008 Dijkgracht  
 2009 Damgracht, Danzigergracht,  
 Deltagracht, Diamantgracht,  
 Dolfijngracht, Donaugracht  
 2010 Dynamogracht

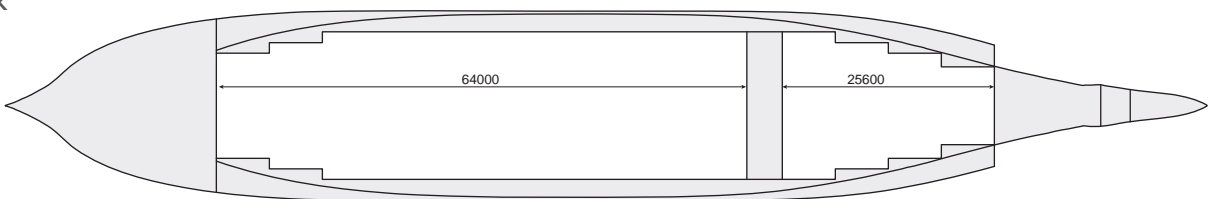
# D-TYPE



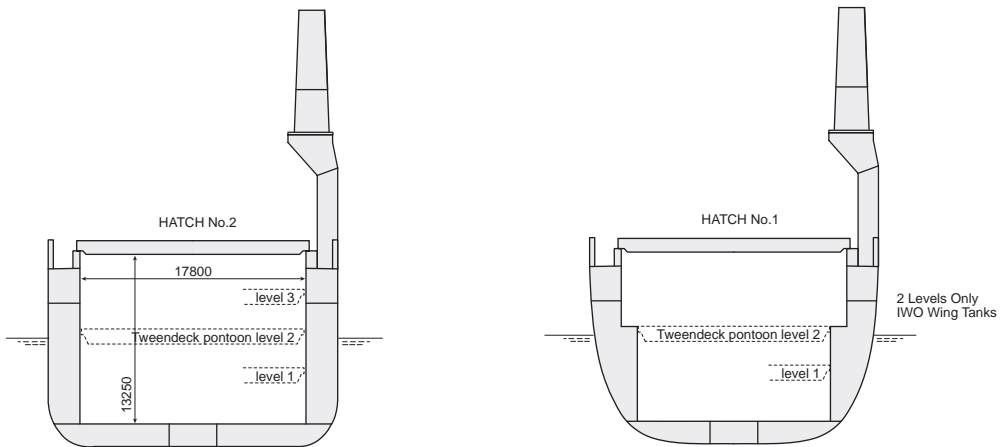
WEATHER DECK



TWEEN DECK



TANK TOP



CROSS SECTION

