

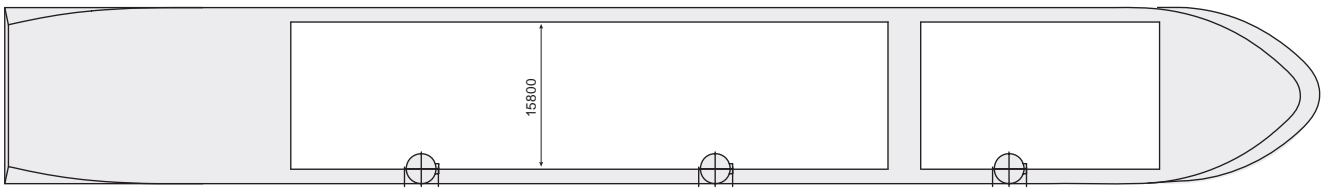
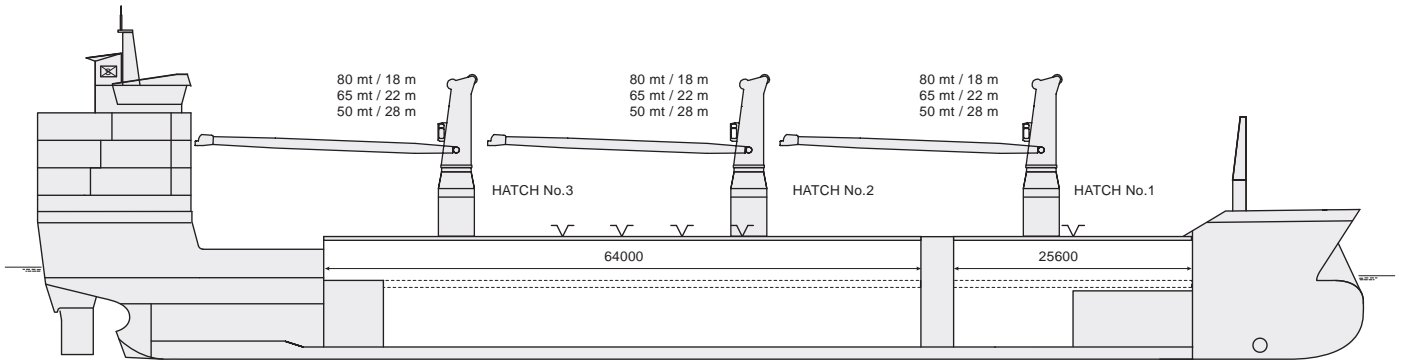
M-TYPE

CLASS			
Classification	Lloyd's Register \times 100 A1 (Great Lakes fitted)		
Ice-Class	Finnish/ Swedish 1A		
Open sailing notation	Yes		
PRINCIPAL DIMENSIONS			
Length over all	142,10	m	
Breadth moulded	18,90	m	
Height hold as SID	11,80	m	
Height lower hold as TWD	3,36 or 6,40 or 8,36	m *	
Height tween deck as TWD	7,75 or 4,70 or 2,75	m *	
* except where side tanks in hold 1 where lowest position is not available			
Summer draft	8,48 / 8,70	m	
GT	Abt. 9.524		
NT	Abt. 4.187		
DEADWEIGHT all told	Abt. 11.720 / 12.200	mt	excl. TWD
	Abt. 11.300 / 11.780	mt	incl. TWD
CAPACITY			
Grain - bale	552.100	cbft	/ 15.640 m ³
FLOOR SPACE			
Tank top	1.242	m ²	
Tween deck	1.415	m ²	
Weather deck	1.596	m ²	
AIR CHANGES (basis empty holds)			
Hold 1	Abt. 27 x	p/h	
Hold 2	Abt. 21 x	p/h	
Dehumidifier	Yes		
CONTAINER INTAKE			
Total	696 TEU		
HATCHES			
Weather deck	No.1: 25,60 x 15,80	m	
	No.2: 64,00 x 15,80	m	
	Steel, end folding/rolling/lift away type		
Tween deck	No.1: 25,60 x 15,80	m	
	No.2: 57,60 x 15,80	m	
	Consisting: 14 steel pontoons:	10 of 6,35 x 15,80 m 3 of 5,24 x 15,80 m 1 of 3,30 x 15,80 m	
Bulkheads/compartments	Removable pontoons for up to 10 compartments at TEU interval		
MAXIMUM LOAD			
Weather deck hatch covers	2,00	t/m ²	
Tweendeck hatch covers	4,50	t/m ²	
Tank top	20,00	t/m ²	
DECK CRANES			
Position	3 x situated on starboard side		
Tons/reach	80 mt SWL/ 18 m 65 mt SWL/ 22 m 50 mt SWL/ 28 m		



2011 Maasgracht, Marsgracht,
Merwedegracht, Minervagracht
2012 Molengracht, Muntgracht

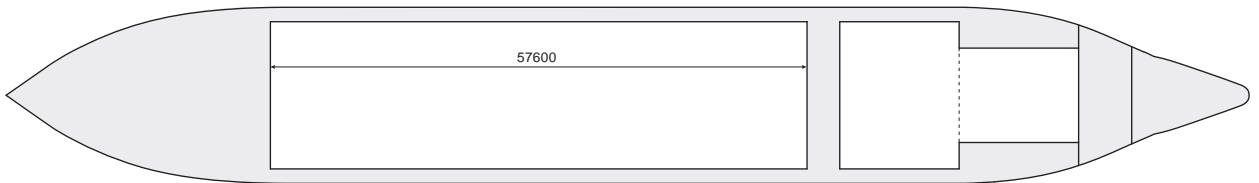
M-TYPE



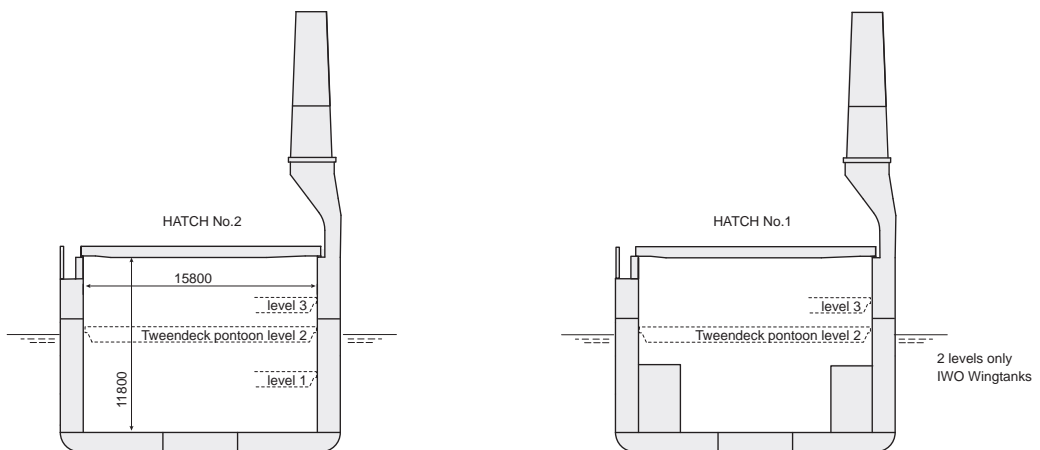
WEATHER DECK



TWEEN DECK



TANK TOP



CROSS SECTION

