

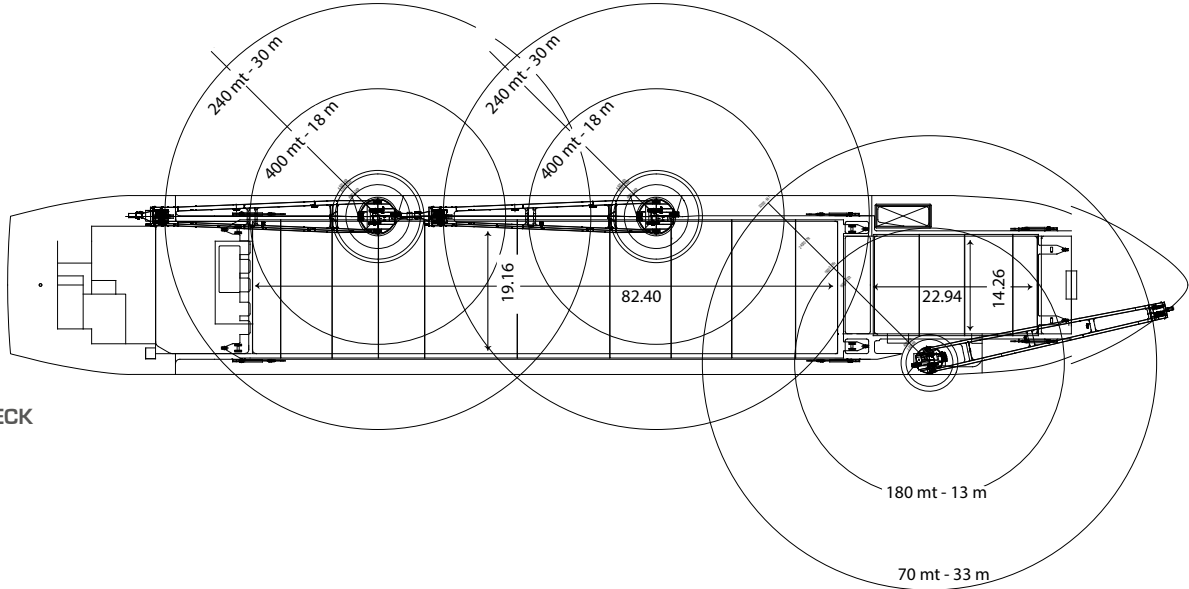
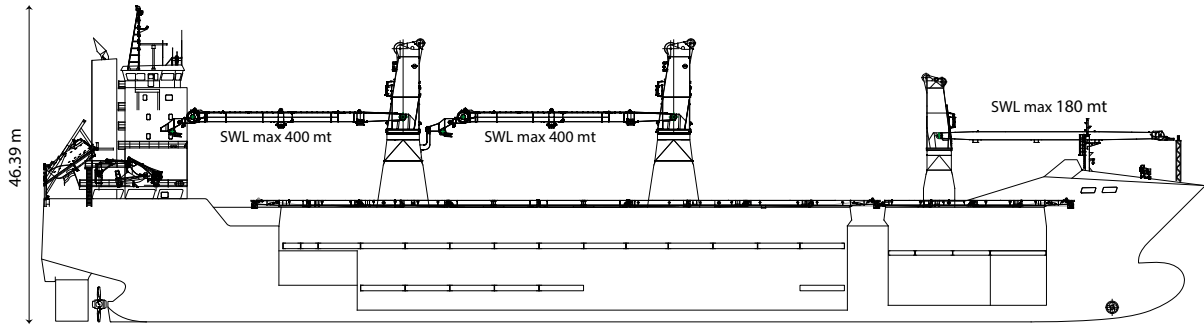
P8 - TYPE

CLASS		
Classification	DNV GL ✕100 A5 Strengthened for heavy cargoes	
Ice-Class	E3	
PRINCIPAL DIMENSIONS		
Length over all	168,68	m
Breadth extreme	25,43	m
Height Hold 1	14,20	m
Height Hold 2	14,90	m
Summer draft	9,50	m
GT	Abt. 17.634	
NT	Abt. 6.617	
DEADWEIGHT Summer	20.100	mt excl. TWD
CAPACITY		
Grain - bale	929.696	cbft/26.337 m ³
FLOOR SPACE		
Tank top	Hold 1 281	m ² /hold 2 1.332 m ²
Tween deck	Hold 1 281	m ² /hold 2 1.458 m ²
Weather deck	2.220	m ²
AIR CHANGES (basis empty holds)		
	Abt. 6 x	p/h
CONTAINER INTAKE		
Total	912	TEU
HATCHES		
Weather deck	No.1: 22,94 x 14,26	m
	No.2: 82,40 x 19,16	m
	hydraulic folding type, combinable w/pontoons	
Tween deck	No.1: 22,94 x 13,76	m
	No.2: 82,40 x 18,66	m
	Heights: Tween deck	Hold 1 2 different heights Hold 2 4 different heights
MAXIMUM LOAD		
Weather deck hatch covers	5,00	t/m ²
Tweendeck hatch covers	3,50	t/m ²
Tank top	18,00	t/m ²
DECK CRANES		
Position	2 x 400 mt SWL situated on port side Combinable 800 mt SWL 180 mt SWL situated on starboard side	
Tons/reach	2 x 400 mt SWL / 18 m 2 x 325 mt SWL / 22 m 2 x 240 mt SWL / 30 m 1 x 180 mt SWL / 13 m 1 x 120 mt SWL / 16 m*	
	*Parkgracht	
BOWTHRUSTER	1 x 800 kW	

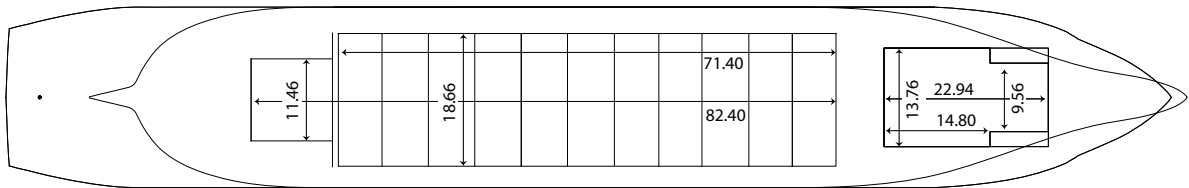


2009 Parkgracht
2011 Prinsengracht
2012 Pietersgracht

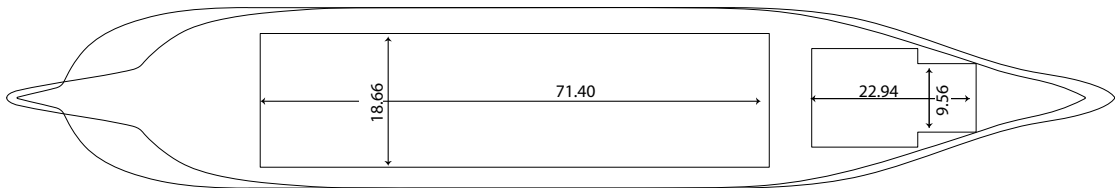
P8 - TYPE



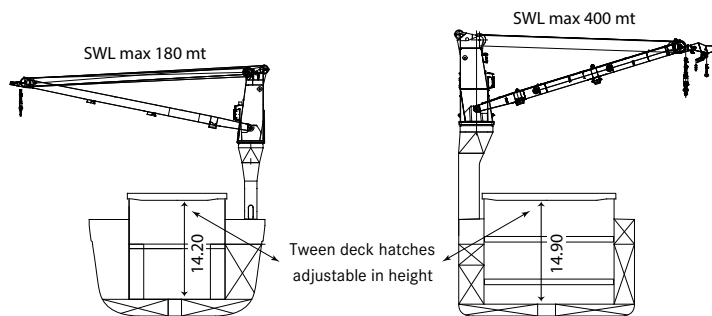
WEATHER DECK



TWEEN DECK



TANK TOP



CROSS SECTION



SAFE
SAILINGS