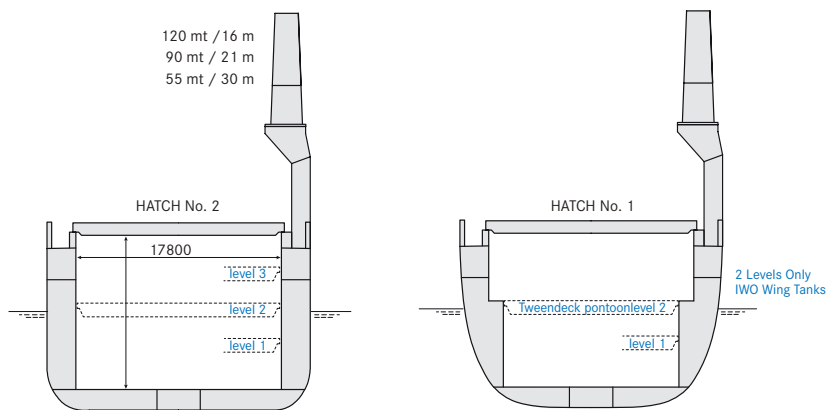
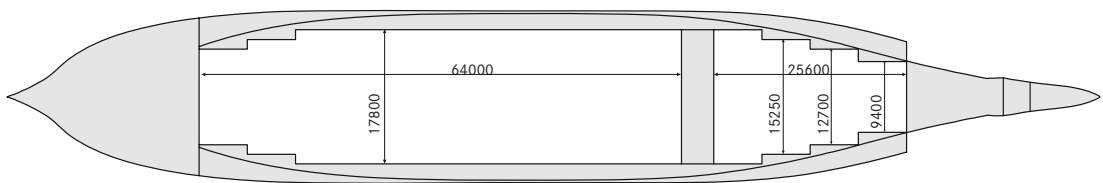
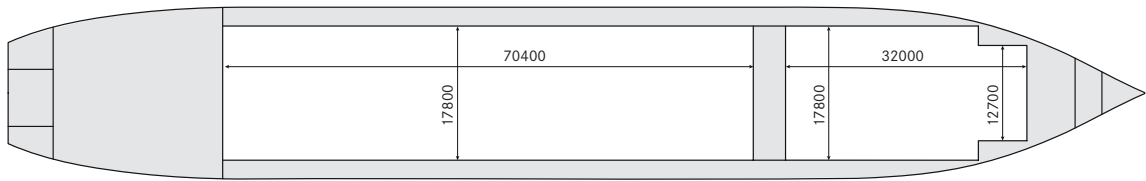
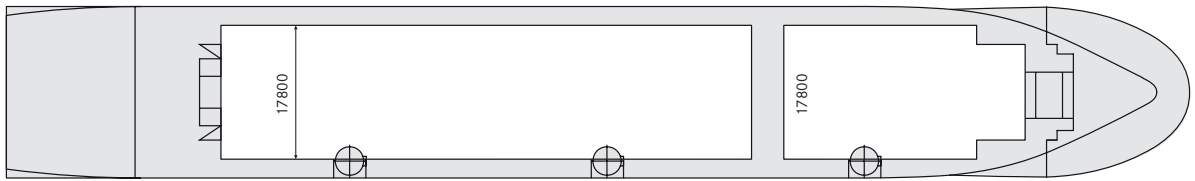
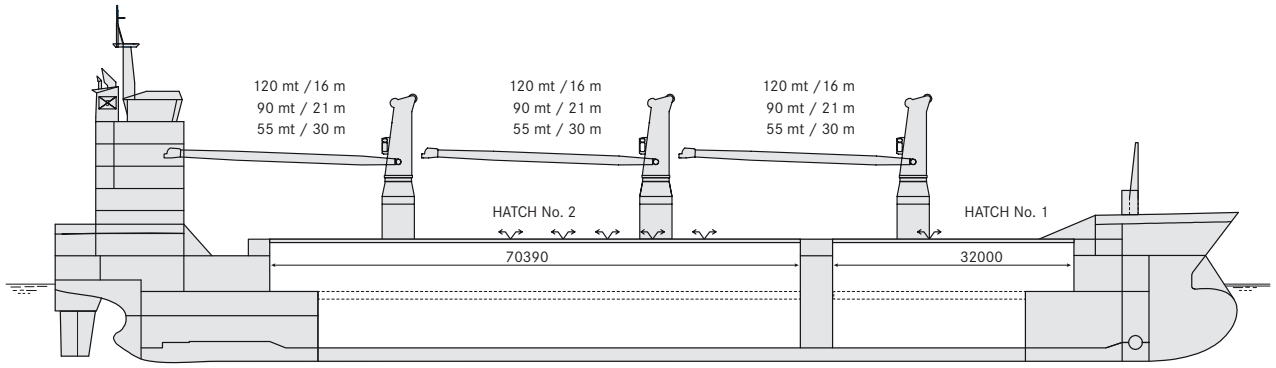


D-TYPE

CLASS			
Classification	Lloyd's Register ✱100 A1		
Ice-Class	Finnish/ Swedish 1A		
Open sailing notation	Yes, upon request		
Fitted for carriage of dangerous goods of all IMO classes			
Fitted for trading Australia			
PRINCIPAL DIMENSIONS			
Length over all	156.93	m	
Breadth moulded	22.80	m	
Height hold as SID	13.30	m	
Height lower hold as TWD	variable height		
Height tween deck as TWD	variable height		
Summer draft	10.27	m	
GT	13,558		
NT	5,981		
DEADWEIGHT all told	18,144	mt	excl. TWD
	17,587	mt	incl. TWD
CAPACITY			
Grain = bale	769,119	cbft	/21,779 m ²
FLOOR SPACE			
Weather deck	1,760	m ²	
Tween deck	1,790	m ²	
Tank top	1,443	m ²	
AIR CHANGES (basis empty holds)			
Hold 1	21 x p/h		
Hold 2	15 x p/h		
Dehumidifier	Yes		
CONTAINER INTAKE			
Total	1,075 TEU	subject to stability	
HATCHES			
Weather deck	Hold 1: 32.50 x 13.30 m	/ 18.30 m	
	Hold 2: 70.88 x 18.30 m		
Steel, end folding/rolling/ lift away type			
MAXIMUM LOAD			
Weather deck hatch covers		2.60 t/m ²	payload
Tweendeck hatch covers	Hold 1:	7.50 t/m ²	fore part
		5.50 t/m ²	aft part
	Hold 2:	5.50 t/m ²	
Tank top		20.00 t/m ²	
DECK CRANES			
Position	3 x situated on starboard side. Combinable up to 240 mt		
Tons /reach	120 mt SWL	/ 16 m	
	90 mt SWL	/ 21 m	
	55 mt SWL	/ 30 m	



- 2008** DIJKSGRACHT
- 2009** DAMGRACHT
- DANZIGERGRACHT
- DELTAGRACHT
- DIAMANTGRACHT
- DOLFIJNGRACHT
- DONAUGRACHT
- 2010** DYNAMOGRACHT



These particulars are believed to be correct, but without guarantee, and they must not be used as basis for Charter Parties or contracts without explicit written authority. For more information please contact amsterdam@splithoff.com or Phone +31 20 4488 400

D-TYPE

2024, July